

# Technical Data

## 4000 Series

Diesel Engine - Electropak

## 4006-23TAG2A

## 4006-23TAG3A

### Basic technical data

Number of cylinders .....6  
 Cylinder arrangement ..... Vertical, In line  
 Cycle ..... 4 stroke, compression ignition  
 Induction system ..... Turbocharged  
 Compression ratio ..... 13.6:1 nominal  
 Bore ..... 160 mm  
 Stroke ..... 190 mm  
 Cubic capacity ..... 22,921 litres  
 Direction of rotation ..... Anti-clockwise viewed on flywheel  
 Firing order ..... 1, 5, 3, 6, 2, 4  
 Cylinder 1 ..... furthest from flywheel  
 Total weight of Electrounit (engine only)  
 -dry ..... 2524 kg  
 -wet ..... 2663 kg

#### Overall dimensions

-height ..... 1964 mm  
 -length ..... 3027 mm  
 -width ..... 1706 mm

#### Moment of inertia

Engine ..... 4.59 kgm<sup>2</sup>  
 Flywheel ..... 6.02 kgm<sup>2</sup>  
 Cyclic irregularity for engine/flywheel (prime power):

	TAG2A	TAG3A
1500 rev/min	1:67	1:62
1800 rev/min	1:105	1:97

### Ratings

Steady state speed stability at constant load ..... ± 0.25%  
 Electrical rating are based on average alternator efficiency and are for guidance only (0.8 power factor being used).

### Operating point

Engine speed ..... 1500/1800 rev/min  
 Static injection timing ..... See engine number plate  
 Cooling water exit temperature ..... 98 °C Max.

### Fuel data

To conform to BS2869 class A2.

### Performance

Estimated sound pressure level (Temperate):  
 - 1500 rev/min ..... 106 dBA  
 - 1800 rev/min ..... 111 dBA  
 Estimated sound pressure level (Tropical):  
 - 1500 rev/min ..... 107 dBA

**Note:** All data based on operation to ISO 3046/1, BS 5514 and DIN 6271 standard reference conditions.

For engines operating in ambient conditions other than the standard reference conditions stated below, a suitable de-rate must be applied. De-rate tables for increased ambient temperature and/or altitude are available, please contact Perkins Applications Department.

### Test Conditions

Air temperature ..... 25 °C  
 Barometric pressure ..... 100 kPa  
 Relative humidity ..... 30%  
 Air inlet restriction at maximum power (nominal) ..... 2,5 kPa  
 Exhaust back pressure (nominal) ..... 3,0 kPa  
 Fuel temperature (inlet pump) ..... 58 °C maximum  
 For test conditions relevant to data on load acceptance, refer to Perkins Applications Department.

## General installation

### 4006-23TAG2A - Temperate

Designation	Units	50 Hz 1500 rev/min			60 Hz 1800 rev/min		
		Baseload power	Prime Power	Standby power	Baseload power	Prime Power	Standby power
Gross engine power	kWm	521	646	711	554	684	759
Fan power	kWm	22			38		
Net engine power	kWm	499	624	689	516	646	721
BMEP gross	kPa	1812	2247	2473	1606	1983	2200
Combustion air flow	m <sup>3</sup> /min	60	64	71	62	65	73
Exhaust gas temperature max. after turbo	°C	430					
Exhaust gas flow (max)	m <sup>3</sup> /min	180			190		
Boost pressure ration	-	3,0	3,4	3,6	3,2	3,4	3,6
Mechanical efficiency	%	90					
Overall thermal efficiency	%	43	42	41	41,5	41	40
Friction power and pumping losses	kWm	70			75		
Mean piston speed	m/s	9,5			11,4		
Engine coolant flow	l/s	10			12		
Cooling fan airflow	m <sup>3</sup> /min	1200			1320		
Typical Genset electrical output 0.8pf 25 °C (100 kPa)	kVA	592	740	817	612	766	855
	kWe	474	592	654	490	613	684
Assumed alternator efficiency	%	95			94		

## General installation

### 4006-23TAG2A - Tropical

Designation	Units	50 Hz 1500 rev/min			60 Hz 1800 rev/min		
		Baseload power	Prime Power	Standby power	Baseload power	Prime Power	Standby power
Gross engine power	kWm	521	646	711	554	684	759
Fan power	kWm	26			44		
Net engine power	kWm	495	620	685	510	640	715
BMEP gross	kPa	1812	2247	2473	1606	1983	2200
Combustion air flow	m <sup>3</sup> /min	60	64	71	62	65	73
Exhaust gas temperature max. after turbo	°C	430					
Exhaust gas flow (max)	m <sup>3</sup> /min	180			190		
Boost pressure ration	-	3,0	3,4	3,6	3,2	3,4	3,6
Mechanical efficiency	%	90					
Overall thermal efficiency	%	43	42	41	41,5	41	40
Friction power and pumping losses	kWm	70			75		
Mean piston speed	m/s	9,5			11,4		
Engine coolant flow	l/s	10			12		
Cooling fan airflow	m <sup>3</sup> /min	1200			1320		
Typical Genset electrical output 0.8pf 25 °C (100 kPa)	kVA	585	730	800	600	750	844
	kWe	468	584	640	480	600	675
Assumed alternator efficiency	%	95			94		

### 4006-23TAG3A - Temperate

Designation	Units	50 Hz 1500 rev/min			60 Hz 1800 rev/min		
		Baseload power	Prime Power	Standby power	Baseload power	Prime Power	Standby power
Gross engine power	kWm	566	705	786	614	759	839
Fan power	kWm	22			38		
Net engine power	kWm	544	683	764	576	721	801
BMEP gross	kPa	1969	2452	2734	1780	2200	2432
Combustion air flow	m <sup>3</sup> /min	60	69	73	68	76	78
Exhaust gas temperature max. after turbo	°C	500					
Exhaust gas flow (max)	m <sup>3</sup> /min	193			209		
Boost pressure ration	-	3,1	3,5	3,8	3,35	3,6	3,79
Mechanical efficiency	%	90					
Overall thermal efficiency	%	43	41	40	41,5	40,5	39,5
Friction power and pumping losses	kWm	70			75		
Mean piston speed	m/s	9,5			11,4		
Engine coolant flow	l/s	10			12		
Cooling fan airflow	m <sup>3</sup> /min	1200			1320		
Typical Genset electrical output 0.8pf 25 °C (100 kPa)	kVA	645	810	906	683	855	950
	kWe	516	648	725	547	684	760
Assumed alternator efficiency	%	95			95		

## General installation

### 4006-23TAG3A - Tropical

Designation	Units	50 Hz 1500 rev/min			60 Hz 1800 rev/min		
		Baseload power	Prime Power	Standby power	Baseload power	Prime Power	Standby power
Gross engine power	kWm	566	705	786	614	759	839
Fan power	kWm	26			44		
Net engine power	kWm	540	679	760	570	715	795
BMEP gross	kPa	1969	2452	2734	1780	2200	2432
Combustion air flow	m <sup>3</sup> /min	60	69	73	68	76	78
Exhaust gas temperature max. after turbo	°C	500					
Exhaust gas flow (max)	m <sup>3</sup> /min	193			209		
Boost pressure ration	-	3,1	3,5	3,8	3,35	3,6	3,79
Mechanical efficiency	%	90					
Overall thermal efficiency	%	43	41	40	41,5	40,5	39,5
Friction power and pumping losses	kWm	70			75		
Mean piston speed	m/s	9,5			11,4		
Engine coolant flow	l/s	10			12		
Cooling fan airflow	m <sup>3</sup> /min	1200			1320		
Typical Genset electrical output 0.8pf 25 °C (100 kPa)	kVA	640	800	900	675	844	938
	kWe	512	640	720	540	675	750
Assumed alternator efficiency	%	95			95		

## Rating Definitions

### Baseload Power

Unlimited hours usage with an average load factor of 100% of the published Baseload Power. No overload is permitted on Baseload Power.

### Prime Power

Unlimited hours usage with an average load factor of 80% of the published Prime Power over each 24 hours period. A 10% overload is available for 1 hour in every 12 hours operation.

### Standby Power

Limited to 500 hours annual usage with an average load factor of 80% of the published Standby Power rating over each 24 hour period. Up to 300 hours of annual usage may be run continuously. No overload is permitted on Standby Power.

# Energy balance

## 4006-23TAG2A - Temperate

Designation	Units	50 Hz 1500 rev/min ½ TA Luft			50 Hz 1500 rev/min Best SFC			1800 rev/min		
		Baseload Power	Prime Power	Standby Power	Baseload Power	Prime Power	Standby Power	Baseload Power	Prime Power	Standby Power
Energy in fuel	kW	1365	1721	1880	1293	1595	1764	1457	1824	2033
Energy in power output (gross)	kW	521	646	711	521	646	711	554	684	759
Energy to cooling fan	kW	22			22			38		
Energy in power output (net)	kW	499	624	689	499	624	689	516	640	721
Energy to exhaust	kW	450	610	657	415	500	540	543	649	695
Energy to coolant and oil	kW	200	221	240	170	191	240	157	220	260
Energy to radiation	kW	40	55	76	52	64	71	58	73	81
Energy to charge coolers	kW	154	189	196	135	194	202	145	204	238

## 4006-23TAG2A - Tropical

Designation	Units	50 Hz 1500 rev/min ½ TA Luft			50 Hz 1500 rev/min Best SFC			1800 rev/min		
		Baseload Power	Prime Power	Standby Power	Baseload Power	Prime Power	Standby Power	Baseload Power	Prime Power	Standby Power
Energy in fuel	kW	1365	1721	1880	1293	1595	1764	1457	1824	2033
Energy in power output (gross)	kW	521	646	711	521	646	711	554	684	759
Energy to cooling fan	kW	26			26			44		
Energy in power output (net)	kW	495	620	685	495	620	685	509	639	714
Energy to exhaust	kW	450	610	657	415	500	540	543	649	695
Energy to coolant and oil	kW	200	221	240	170	191	240	157	220	260
Energy to radiation	kW	40	55	76	52	64	71	58	73	81
Energy to charge coolers	kW	154	189	196	135	194	202	145	204	238

## 4006-23TAG3A - Temperate

Designation	Units	50 Hz 1500 rev/min ½ TA Luft			50 Hz 1500 rev/min Best SFC			1800 rev/min		
		Baseload Power	Prime Power	Standby Power	Baseload Power	Prime Power	Standby Power	Baseload Power	Prime Power	Standby Power
Energy in fuel	kW	1470	1926	2154	1390	1749	1970	1598	1995	2258
Energy in power output (gross)	kW	366	705	786	566	705	786	614	759	839
Energy to cooling fan	kW	22			22			38		
Energy in power output (net)	kW	544	683	764	544	683	764	576	721	801
Energy to exhaust	kW	480	665	741	429	500	565	530	635	759
Energy to coolant and oil	kW	210	280	315	190	280	310	225	309	330
Energy to radiation	kW	59	77	86	56	70	79	64	80	90
Energy to charge coolers	kW	155	199	226	149	194	230	165	212	240

## 4006-23TAG3A - Tropical

Designation	Units	50 Hz 1500 rev/min ½ TA Luft			50 Hz 1500 rev/min Best SFC			1800 rev/min		
		Baseload Power	Prime Power	Standby Power	Baseload Power	Prime Power	Standby Power	Baseload Power	Prime Power	Standby Power
Energy in fuel	kW	1470	1926	2154	1390	1749	1970	1598	1995	2258
Energy in power output (gross)	kW	566	705	786	566	705	786	614	759	839
Energy to cooling fan	kW	26			26			44		
Energy in power output (net)	kW	540	679	760	540	679	760	569	714	794
Energy to exhaust	kW	480	665	741	429	500	565	530	635	759
Energy to coolant and oil	kW	210	280	315	190	280	310	225	309	330
Energy to radiation	kW	59	77	86	56	70	79	64	80	90
Energy to charge coolers	kW	155	199	226	149	194	230	165	212	240

**Note:** ½ TA Luft figures have been developed to comply with ½ TA Luft as 1986 with 2000 mg/m<sup>3</sup> NOx 5% O<sub>2</sub> limits for power generation engines.

## Cooling system

Recommended coolant: 50% inhibited ethylene glycol or 50% inhibited propylene glycol and 50% clean fresh water. For combined heat and power systems and where there is no likelihood of ambient temperature below 10 °C, then clean 'soft' water may be used, treated with 1% by volume of Perkins inhibitor in the cooling system. The inhibitor is available in 1 litre bottles from Perkins.

Nominal jacket water pressure in crankcase. .... 170 kPa  
 Maximum top temperature (standby) ... .. 98 °C  
 Maximum static pressure head on pump ... .. 7 m  
 Draw down capacity ... .. 22 litres  
 Maximum permissible restriction to coolant pump flow. .... 20 kPa  
 Thermostat operating range.. .... 71 - 85 °C  
 Ambient cooling clearance (open ElectropaK prime power) based on air temp at fan 3 °C above ambient.

### Temperate

Maximum additional restriction (duct allowance) to cooling airflow. (TAG2A and TAG3A standby power) and resultant minimum airflow					
Ambient clearance: 50% Glycol		Duct allowance mm H <sub>2</sub> O		Min airflow m <sup>3</sup> /sec	
rev/min		rev/min		rev/min	
1500	1800	1500	1800	1500	1800
36 °C	39 °C	25	25	13	16

### Tropical

Maximum additional restriction (duct allowance) to cooling airflow. (TAG2A and TAG3A standby power) and resultant minimum airflow					
Ambient clearance: inhibited coolant		Duct allowance mm H <sub>2</sub> O		Min airflow m <sup>3</sup> /sec	
rev/min		rev/min		rev/min	
1500	1800	1500	1800	1500	1800
50 °C	50 °C	13	20	20	22

The above information at 1500 rev/min applies for ½ TA Luft and Best SFC ratings.

## Radiator

Radiator face area. .... 2,569 m<sup>2</sup>  
 Rows and materials... .. 3 rows of brass tubes

### Gills per inch and material

- jacket water. .... Copper fin at 14 gills/in  
 - charge air section ... .. Copper fin at 10 gills/in

### Width and height of matrix

- height .. .. 1600 mm  
 - width ... .. 1606 mm  
 Weight (dry) radiator . .... 570 kg  
 Total coolant capacity ... .. 105 litres  
 Pressure cap setting . .... 70 kPa

Coolant jacket data	Units	1500 rev/min	1800 rev/min
Coolant flow	l/s	10	12
Coolant exit temperature (max)	°C	98	98
Coolant entry temperature (min)	°C	70	70

## Charge cooler, integral with radiator

Face area... .. 1,622 m<sup>2</sup>

## Coolant pump

Speed and method of drive... .. 1.4 x e rev/min Gear

## Fan

Type .. .. Engine mounted

### Speed:

- 1500 ... .. 1170 rev/min  
 - 1800 ... .. 1404 rev/min

Diameter ... .. 1,2 m

Number of blades

- Temperate... .. 6

- Tropical ... .. 8

Material . .... Steel

Drive ratio.. .... 0.78 : 1

## Lubrication system

Recommended lubricating oil to conform with the specification of API CG4 15W/40

### Lubricating oil capacity:

- sump maximum ... .. 113,4 litres  
 - sump minimum. .... 90,7 litres

### Lubrication oil pressure at rated speed

Minimum. .... 240 kPa

Oil relief valves open... .. 300 kPa

Oil filter spacing... .. 40 microns

Sump drain plug tapping size ... .. G1

Oil pump speed and method of drive . .... 1.4 x e rev/min, gear

### Oil pump flow:

- 1500 rev/min ... .. 3,7 litres

- 1800 rev/min ... .. 4,4 litres

Oil consumption as a percentage of full load fuel consumption less than ... .. 0.25%

## Normal operating angles

Front and rear. .... 5°

Side tilt ... .. 10°

## Electrical system

Type ... .. Insulated return

Alternator ... .. 40 amps at 28 volts, stabilised output at 20 °C ambient

Starter motor ... .. 7,5 kW

Number of teeth on flywheel... .. 190

Number of teeth on starter motor ... .. 12

Minimum cranking speed ... .. 120 rev/min

Pull in current of starter motor solenoid... .. 30 amps at 24 volts

Hold in current of starter motor solenoid ... .. 9 amps at 24 volts

Engine stop solenoid... .. 24 volts

Pull in current of stop solenoid ... .. 60 amps at 24 volts

## Starting requirements

Temperature range	
To 10 °C (50 °F)	Oil: CG4 15w/40
	Starter: 1 x 24 volts
	Battery: 2 x 12v x Ah 143
	max. breakaway:
	- current 1000 amps
	- cranking current 600 amps
	- aids Not necessary

### Notes:

- The battery capacity is defined by the 20 hour rate at 0 °C
- The oil specification should be for the minimum ambient temperature as the oil will not be warned by the immersion heater
- The breakaway current is dependant on the battery capacity available. Cables should be capable of handling the transient current which may be up to double the steady cranking current.

## Fuel system

Recommended fuel ... . To conform to BS2869 1998 Class A1, A2  
 Type of injection system ... . Direct injection  
 Fuel injector ... . Combined unit injector  
 Fuel injector pressure  
 ... 220 ATS (NOP) 1400 bar maximum operating pressure

### Delivery:

- 1500 rev/min ... 660 litres/hour  
 - 1800 rev/min ... 810 litres/hour  
 Fuel delivery pump pressure... 300 kPa  
 Fuel lift pump maximum suction head ... 2.5 m  
 Fuel return maximum pressure head  
 ... 3m above fuel delivery pump  
 Fuel filter spacing... 10 microns  
 Governor type ... Electronic

## Fuel consumption gross (½ TA Luft)

### Temperate and Tropical

	g/kW/h		l/h	
	1500	1800	1500	1800
<b>4006-23TAG2A</b>				
Standby	213	226	176	200
Prime	213	221	159	176
Baseload	205	210	127	135
75% Prime	210	212	119	129
50% Prime	208	212	79	90
<b>4006-23TAG3A</b>				
Standby	222	230	203	224
Prime	214	226	175	200
Baseload	207	213	139	152
75% Prime	213	214	132	145
50% Prime	213	205	88	96

## Fuel consumption gross (Best SFC)

### Temperate and Tropical

	g/kW/h		l/h	
	1500	1800	1500	1800
<b>4006-23TAG2A</b>				
Standby	210	226	173	199
Prime	209	222	157	177
Baseload	210	210	127	136
75% Prime	211	212	121	129
50% Prime	213	212	83	90
<b>4006-23TAG3A</b>				
Standby	212	230	194	224
Prime	210	226	172	200
Baseload	208	213	137	152
75% Prime	210	214	130	144
50% Prime	213	205	90	96

## Induction system

### Maximum air intake restriction of engine:

- clean filter... 127 mm H<sub>2</sub>O  
 - dirty filter ... 380 mm H<sub>2</sub>O  
 - air filter type... dry - paper

## Exhaust system

Exhaust outlet size (internal) ... 2 x 152,4 mm

### Exhaust back pressure for total system:

- TAG2A ... 610 mm H<sub>2</sub>O  
 - TAG3A ... 610 mm H<sub>2</sub>O

For recommended pipe sizes see the Installation Manual.

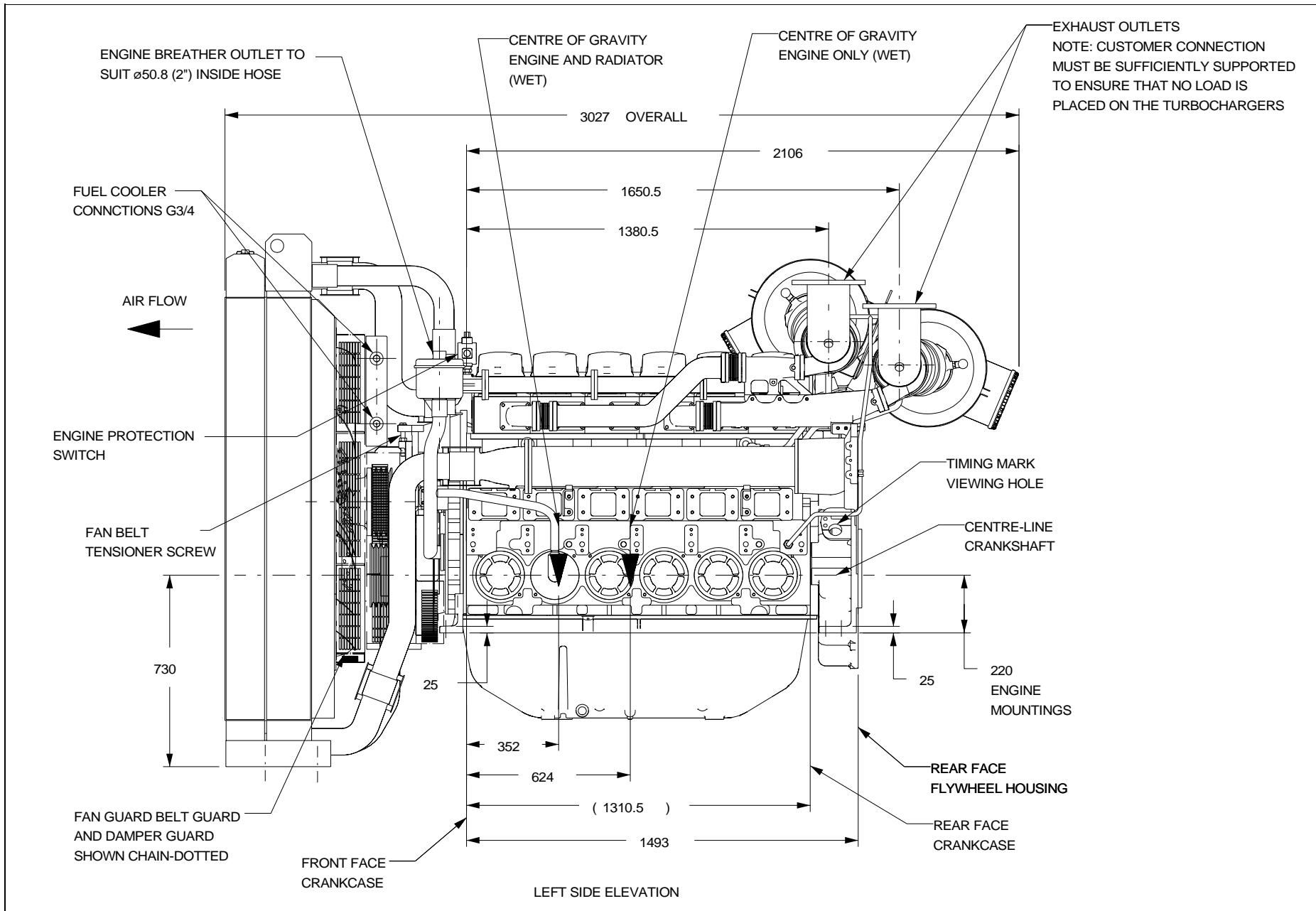
## Engine mounting

Maximum additional load applies to flywheel due to all rotating components. ... 650 kg

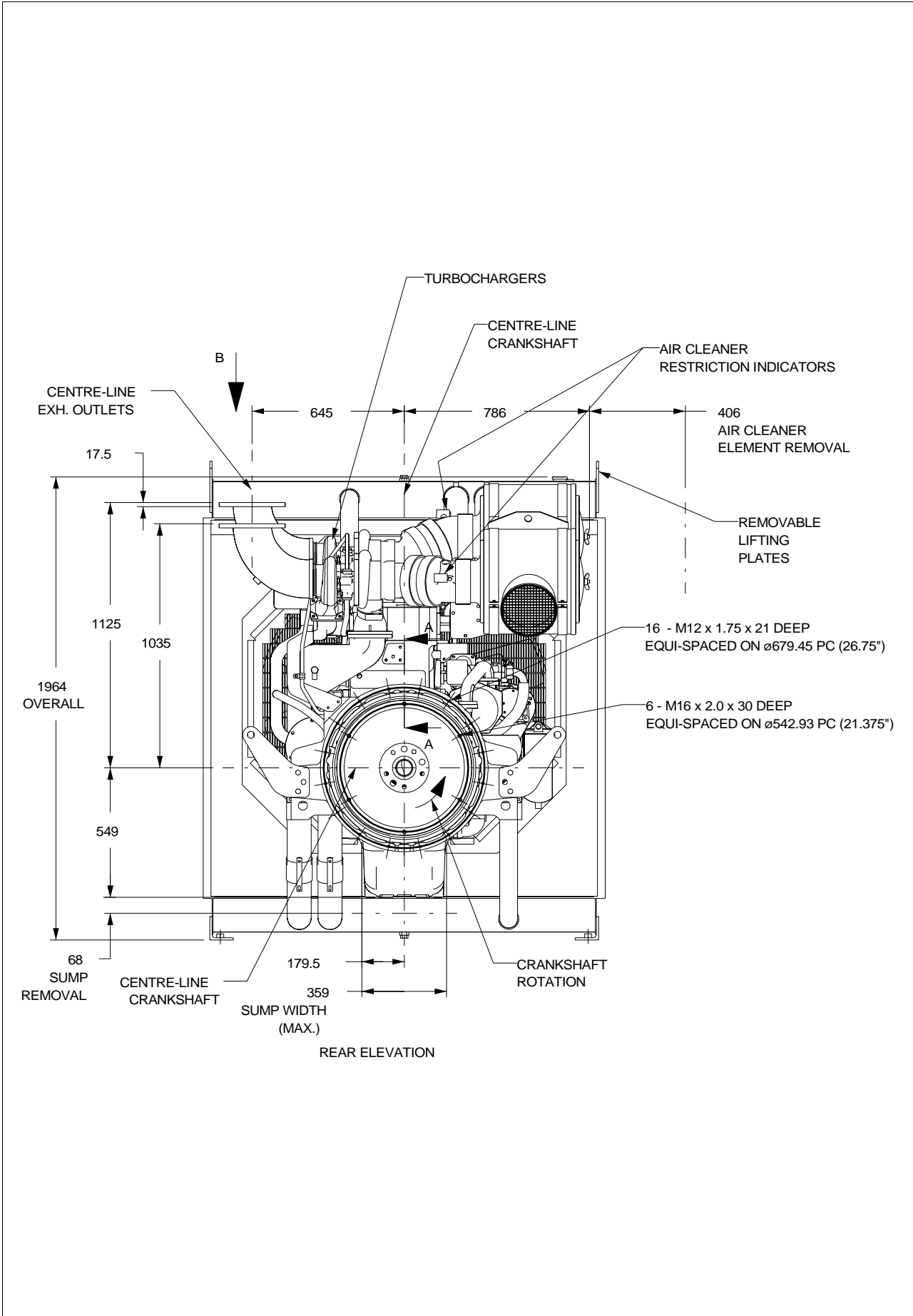
Position of engine centre of gravity (wet):

- forward of the rear face of the crankcase... 625 mm  
 - above the crankshaft centre line ... 140 mm

**4006-23TAG2A and 4006-23TAG3A - Left hand side view**

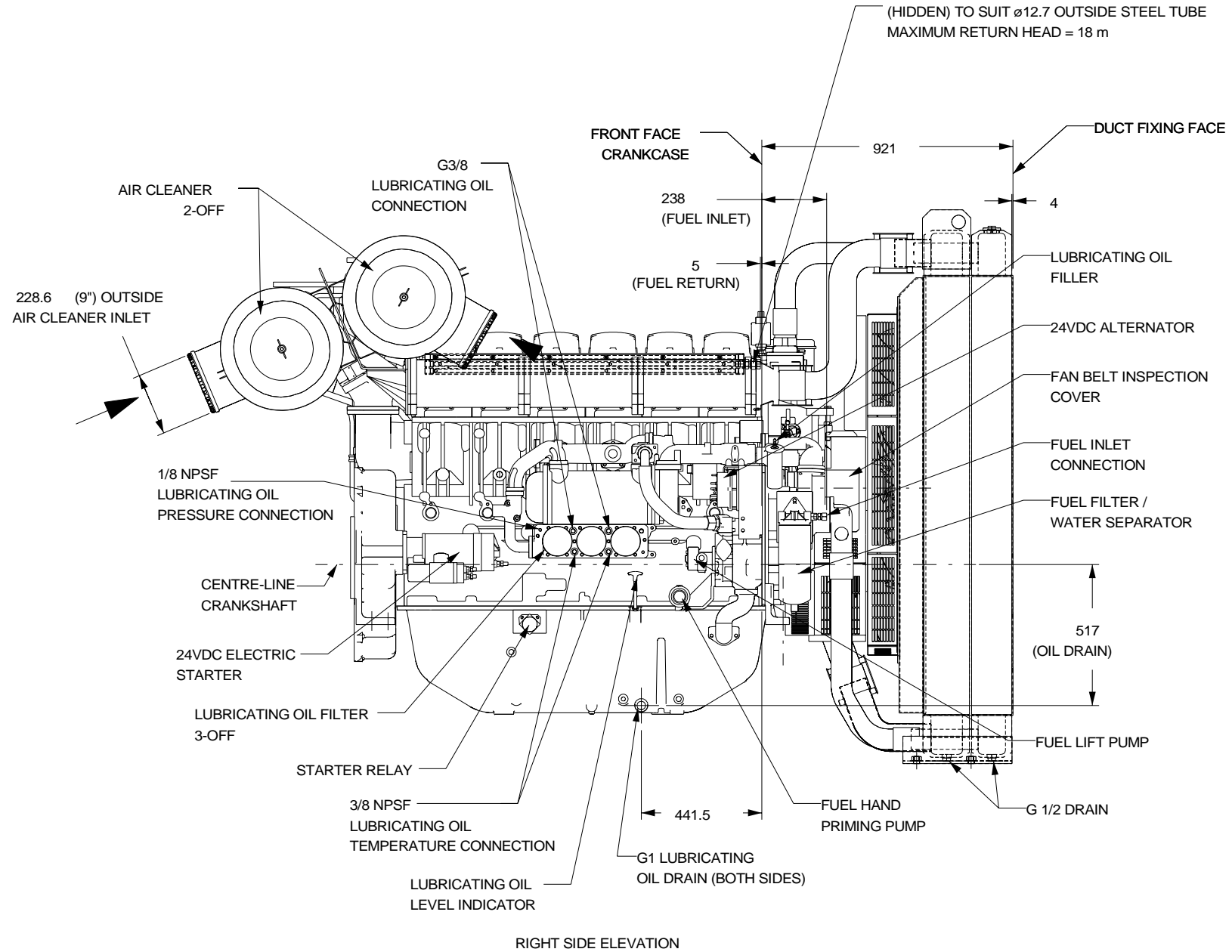


**4006-23TAG2A and 4006-23TAG3A - Front view**



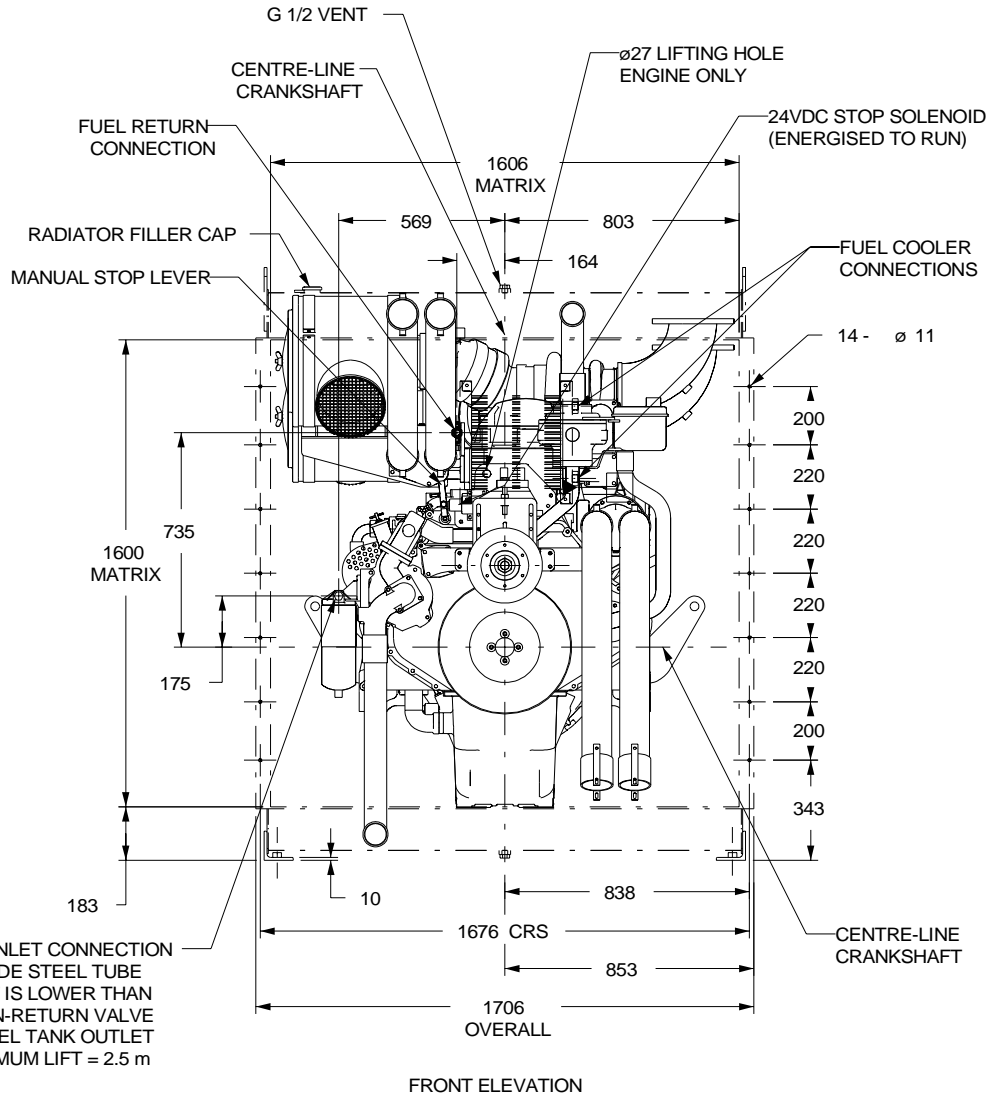


4006-23TAG2A and 4006-23TAG3A - Right hand side view



RIGHT SIDE ELEVATION

**4006-23TAG2A and 4006-23TAG3A - Rear view**



## Typical Load Acceptance (cold)

### At 1500 rev/min

Engine type	Initial Load Acceptance When engine reaches rated speed (15 seconds maximum after engine starts to crank)				2nd Load Application Immediately after engine has recovered to rated speed (5 seconds after initial load application)			
	Prime Power %	Load kWm (kWe) Net	Transient Frequency Deviation %	Frequency recovery time seconds	Prime Power %	Load kWm (kWe) Net	Transient Frequency Deviation %	Frequency recovery time seconds
4006-23TAG2A	69	426 (400)	≤ -10	5	31	194 (184)	≤ -10	5
4006-23TAG3A	66	448 (421)	≤ -10	5	34	231 (219)	≤ -10	5

### At 1800 rev/min

Engine type	Initial Load Acceptance When engine reaches rated speed (15 seconds maximum after engine starts to crank)				2nd Load Application Immediately after engine has recovered to rated speed (5 seconds after initial load application)			
	Prime Power %	Load kWm (kWe) Net	Transient Frequency Deviation %	Frequency recovery time seconds	Prime Power %	Load kWm (kWe) Net	Transient Frequency Deviation %	Frequency recovery time seconds
4006-23TAG2A	70	447 (412)	≤ -10	5	30	193 (180)	≤ -10	5
4006-23TAG3A	67	483 (454)	≤ -10	5	33	232 (221)	≤ -10	5

The above complies with requirements of Classification 3 & 4 of ISO 8528 - 12 and G2 operating limits stated in ISO 8528 - 5.

The above figures were obtained under test conditions as follows:

Engine block temperature . . . . . 45 °C

Alternator efficiency . . . . . 94%

Minimum ambient temperature . . . . . 10 °C

#### Isochronous governing

Under frequency roll off (UFRO) set to . . . . . 1 Hz below rated frequency

Typical alternator inertia . . . . . 20 kgm<sup>2</sup>

All tests were conducted using an engine installed and serviced to Perkins Engines Company Limited recommendations.

**The information given on this Technical Data Sheet is for standard engines, and for guidance only. For ratings other than shown contact the Applications department.**

**Noise levels**

The figures for total noise levels are typical for an engine running at Prime Power rating in a semi-reverberant environment and measured at a distance of one metre from the periphery of the engine.

**Octave analysis**

The following histograms show an octave band analysis at the position of the maximum noise level.

**Total noise level**

Sound pressure level re:  $-20 \times 10^{-6}$  pa  
 Speed 1500 rev/min ... Ambient noise level 79 dBA 4006TAG2A/3A  
 Octave analysis performed at the position of maximum noise.

**4006TAG2A/3A - Temperate**

POSITION 1

1500 rev/min	104,0 - dBA	4006TAG2A
1800 rev/min	109,0 - dBA	4006TAG2A
1500 rev/min	104,0 - dBA	4006TAG3A
1800 rev/min	109,0 - dBA	4006TAG3A

POSITION 7

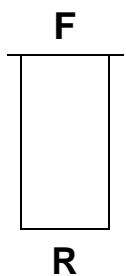
1500 rev/min	105,5 - dBA	4006TAG2A
1800 rev/min	107,5 - dBA	4006TAG2A
1500 rev/min	106,0 - dBA	4006TAG3A
1800 rev/min	108,0 - dBA	4006TAG3A

POSITION 6

1500 rev/min	107,5 - dBA	4006TAG2A
1800 rev/min	109,0 - dBA	4006TAG2A
1500 rev/min	108,0 - dBA	4006TAG3A
1800 rev/min	110,0 - dBA	4006TAG3A

POSITION 5

1500 rev/min	106,5 - dBA	4006TAG2A
1800 rev/min	107,5 - dBA	4006TAG2A
1500 rev/min	107,0 - dBA	4006TAG3A
1800 rev/min	108,0 - dBA	4006TAG3A



POSITION 2

1500 rev/min	105,5 - dBA	4006TAG2A
1800 rev/min	108,5 - dBA	4006TAG2A
1500 rev/min	106,0 - dBA	4006TAG3A
1800 rev/min	109,0 - dBA	4006TAG3A

POSITION 3

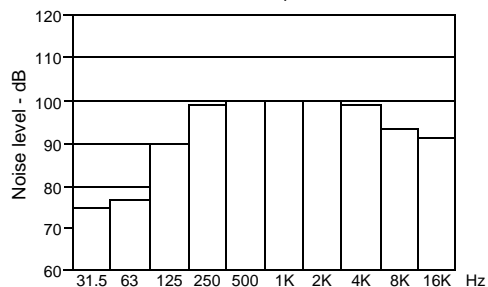
1500 rev/min	108,5 - dBA	4006TAG2A
1800 rev/min	110,0 - dBA	4006TAG2A
1500 rev/min	109,0 - dBA	4006TAG3A
1800 rev/min	110,0 - dBA	4006TAG3A

POSITION 4

1500 rev/min	107,0 - dBA	4006TAG2A
1800 rev/min	107,5 - dBA	4006TAG2A
1500 rev/min	107,5 - dBA	4006TAG3A
1800 rev/min	108,0 - dBA	4006TAG3A

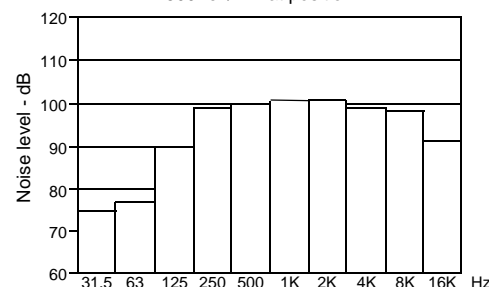
**4006TAG2A**

1500 rev/min at position 7



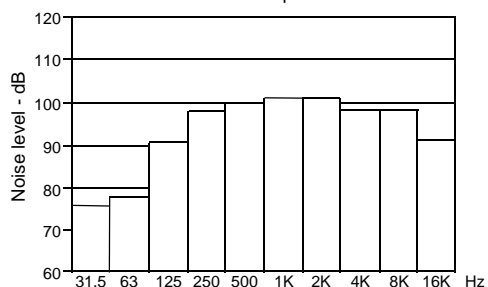
**4006TAG3A**

1500 rev/min at position 7



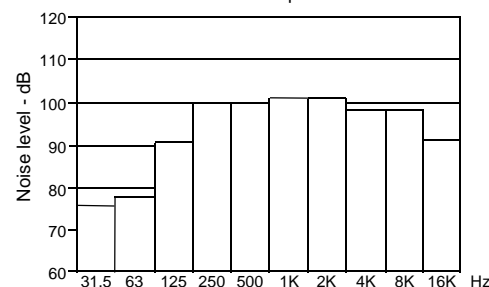
**4006TAG2A**

1800 rev/min at position 7



**4006TAG3A**

1800 rev/min at position 7



# 4006TAG2A/3A - Tropical

## POSITION 1

1500 rev/min	108,0 - dBA	4006TAG2A
1800 rev/min	111,0 - dBA	4006TAG2A
1500 rev/min	108,0 - dBA	4006TAG3A
1800 rev/min	111,0 - dBA	4006TAG3A

## POSITION 7

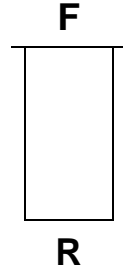
1500 rev/min	106,5 - dBA	4006TAG2A
1800 rev/min	108,0 - dBA	4006TAG2A
1500 rev/min	107,0 - dBA	4006TAG3A
1800 rev/min	109,0 - dBA	4006TAG3A

## POSITION 6

1500 rev/min	106,5 - dBA	4006TAG2A
1800 rev/min	110,0 - dBA	4006TAG2A
1500 rev/min	107,0 - dBA	4006TAG3A
1800 rev/min	110,0 - dBA	4006TAG3A

## POSITION 5

1500 rev/min	107,0 - dBA	4006TAG2A
1800 rev/min	109,5 - dBA	4006TAG2A
1500 rev/min	107,0 - dBA	4006TAG3A
1800 rev/min	111,0 - dBA	4006TAG3A



## POSITION 2

1500 rev/min	106,0 - dBA	4006TAG2A
1800 rev/min	109,0 - dBA	4006TAG2A
1500 rev/min	106,0 - dBA	4006TAG3A
1800 rev/min	110,0 - dBA	4006TAG3A

## POSITION 3

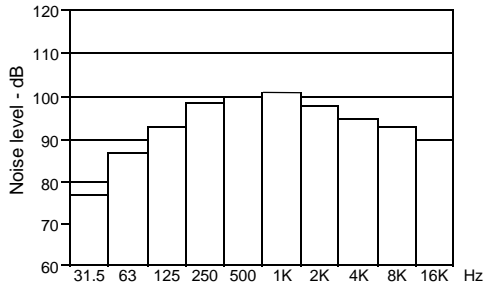
1500 rev/min	108,0 - dBA	4006TAG2A
1800 rev/min	111,0 - dBA	4006TAG2A
1500 rev/min	108,0 - dBA	4006TAG3A
1800 rev/min	112,0 - dBA	4006TAG3A

## POSITION 4

1500 rev/min	106,0 - dBA	4006TAG2A
1800 rev/min	108,0 - dBA	4006TAG2A
1500 rev/min	106,0 - dBA	4006TAG3A
1800 rev/min	109,0 - dBA	4006TAG3A

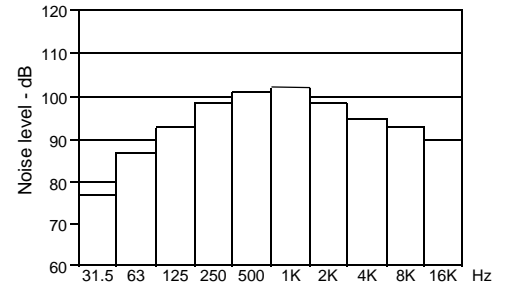
### 4006TAG2A

1500 rev/min at position 7



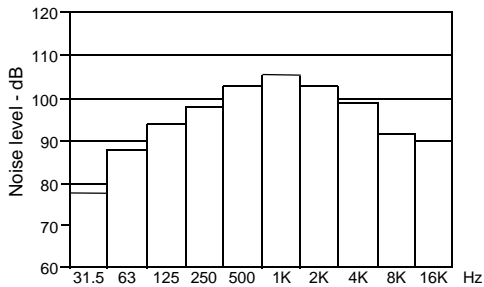
### 4006TAG3A

1500 rev/min at position 7



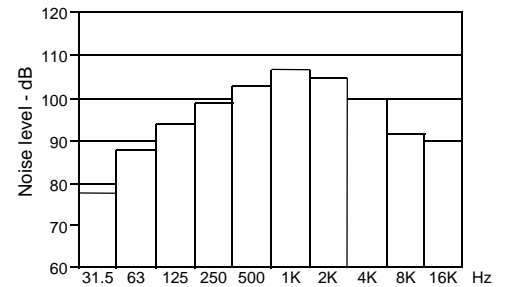
### 4006TAG2A

1800 rev/min at position 7

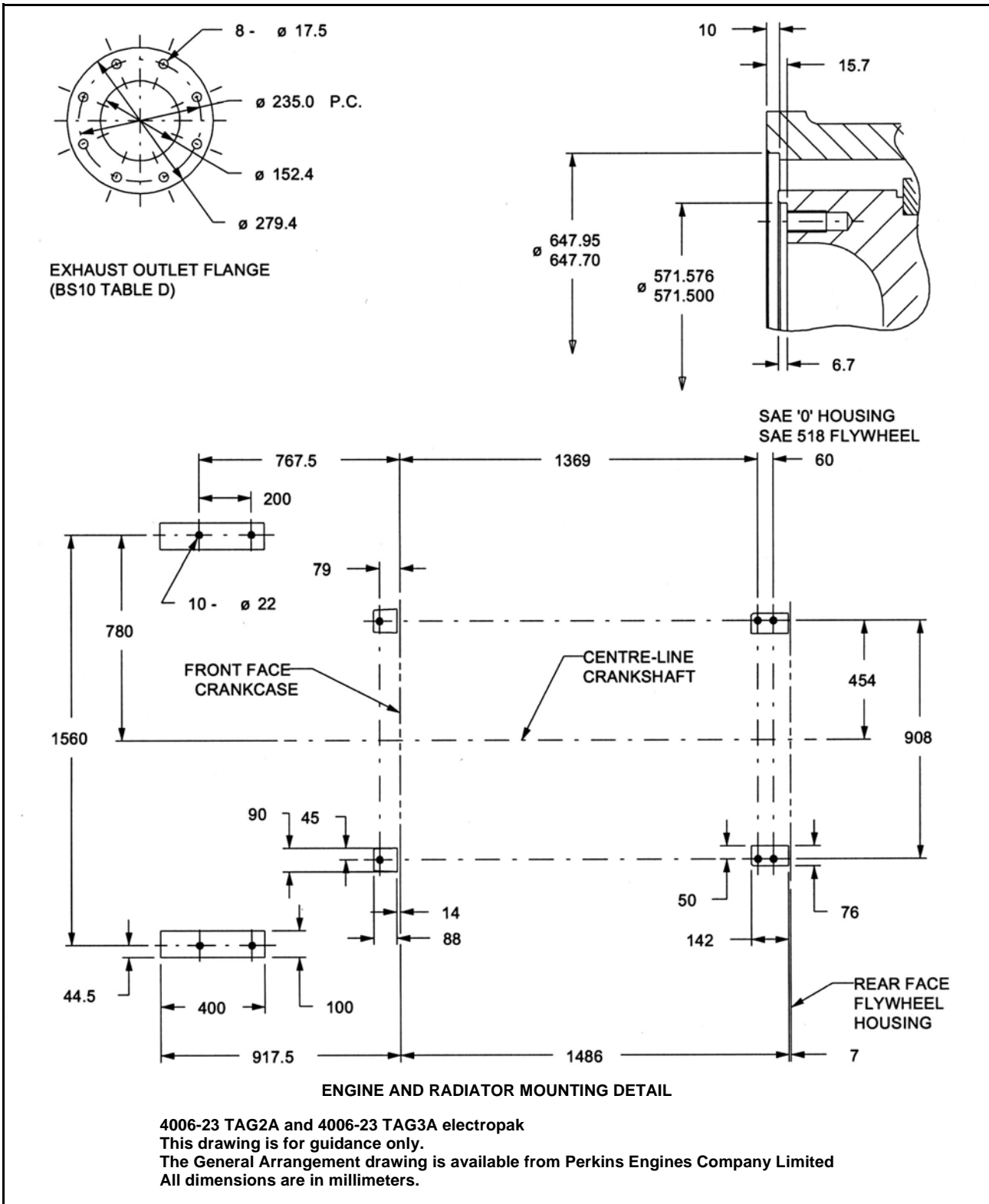


### 4006TAG3A

1800 rev/min at position 7



The information given on this Technical Data Sheet are for standard ratings only. For ratings other than those shown, please contact Perkins Engines Company Limited, Stafford.



**@ Perkins®**

Perkins Engines Company Limited  
 Peterborough PE1 5NA United Kingdom  
 Telephone +44 (0) 1733 583000  
 Fax +44 (0) 1733 582240  
 www.perkins.com

Distributed by